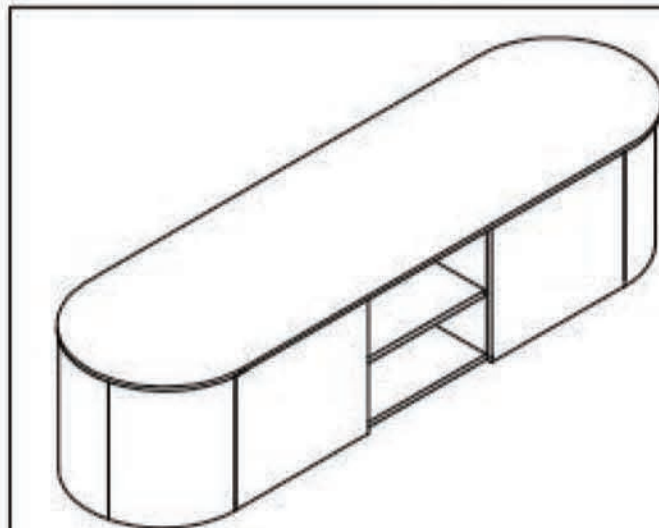
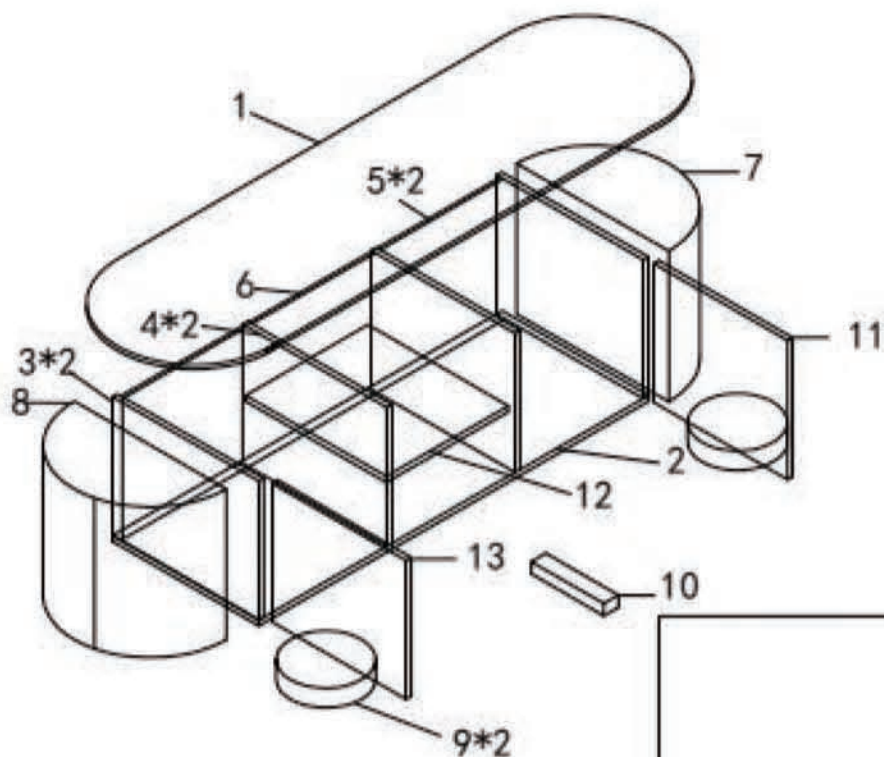
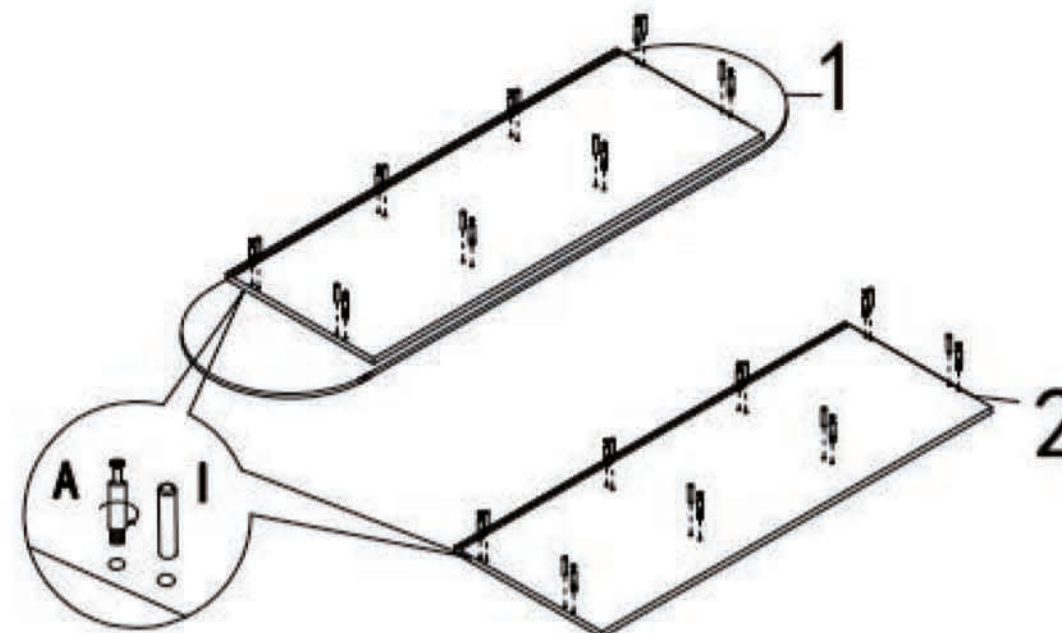


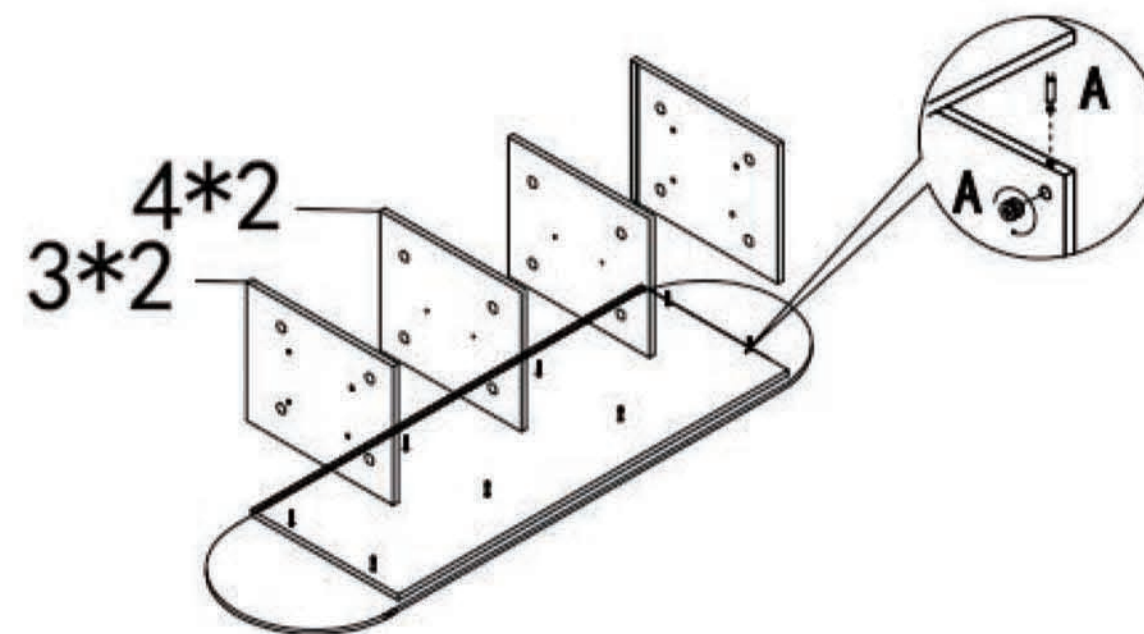
ASSEMBLY INSTRUCTION



1.



2.



A   x16

B  x6

C  x8

D  x36

E  x6

F  x1

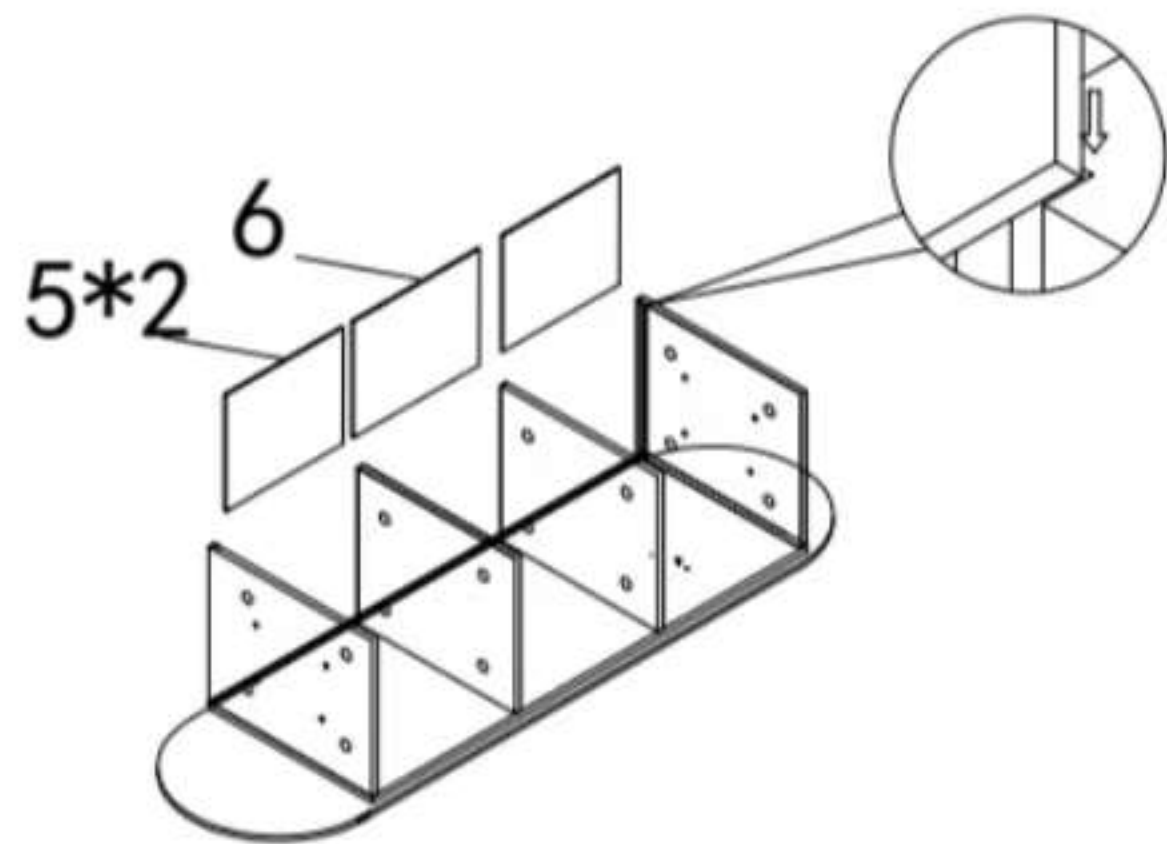
G  x4

H  x4

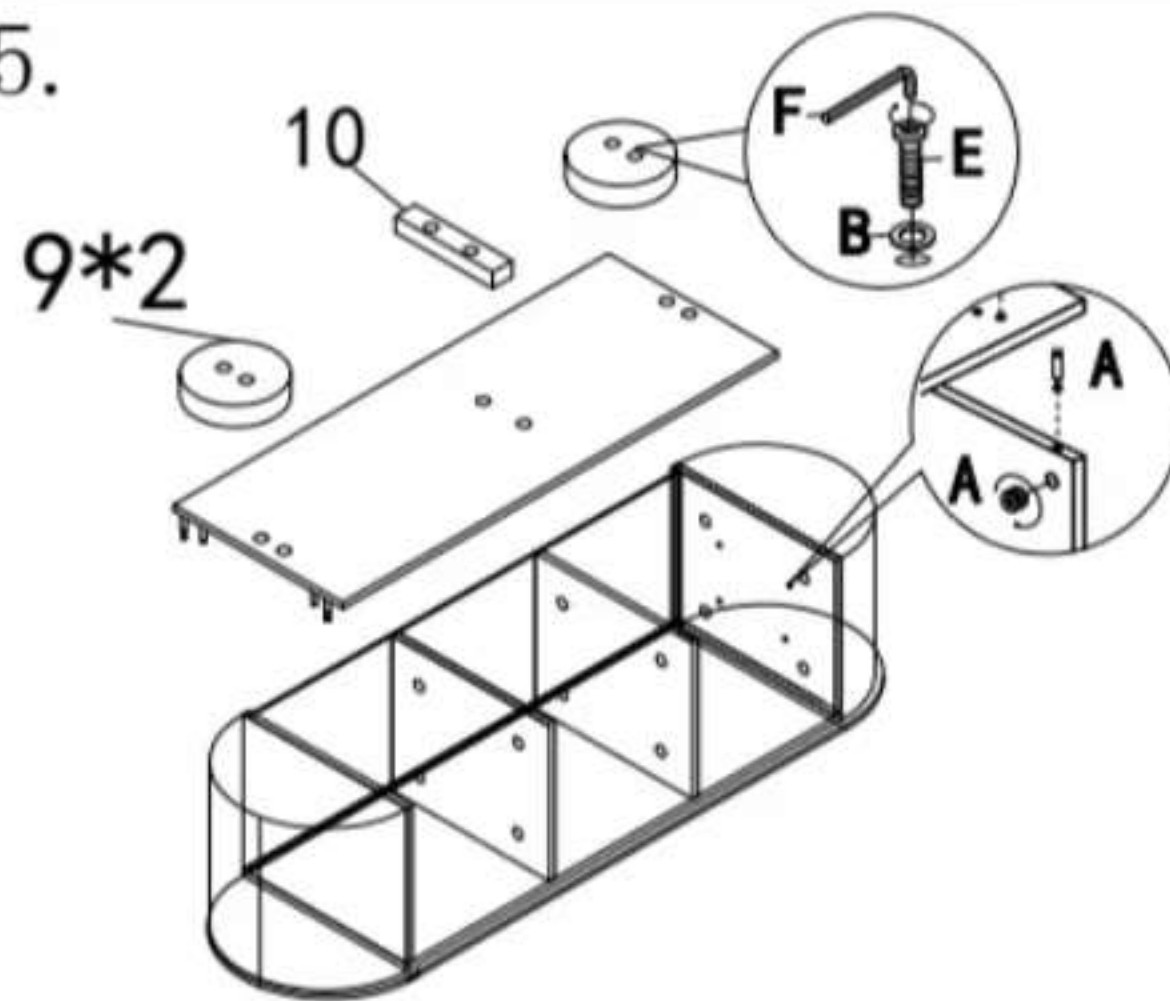
I  x16

J  x12

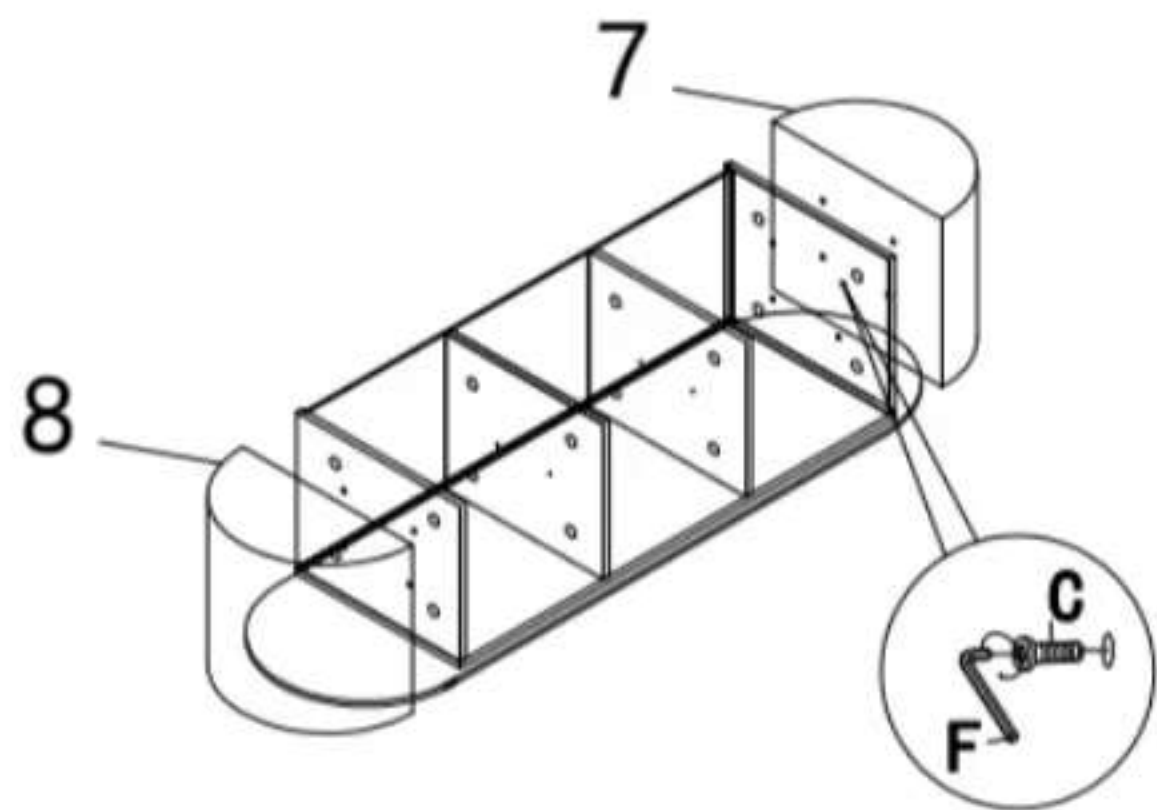
3.



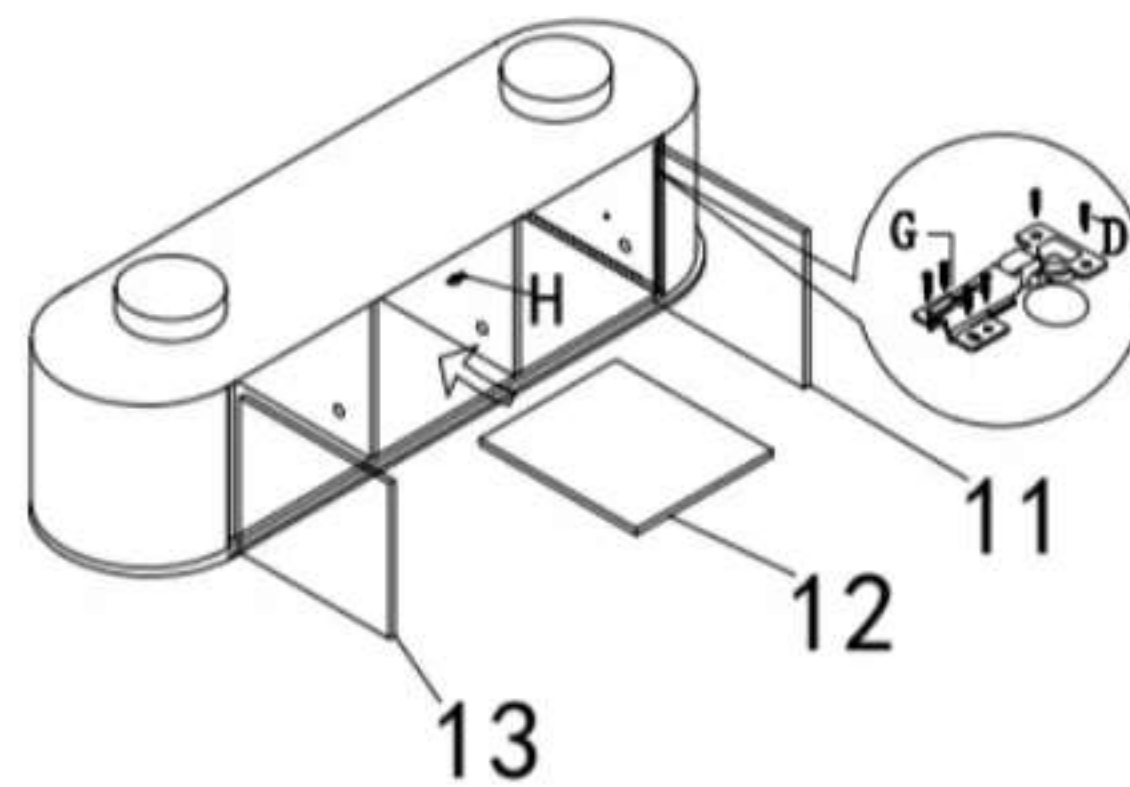
5.



4.



6.



7.

